

NTEP C.O.C. #87-057A3

MODEL 20210 TYPE "S" LOAD CELL

FEATURES:

- 25 to 40,000 pounds capacities
- Complete environmental protection
- Stainless Steel versions available
- NTEP Certified versions available for Class III 5,000 divisions and Class III 10,000 divisions
- Factory Mutual (F.M.) Approved †

DESCRIPTION:

Economical load cell for use in tank weighing, scale conversions and in-line force measurement applications. Versatile and compact unit works in tension or compression and is lightweight. Also rugged and sealed for use in washdown areas. Standardized output available on request ($3.0 \pm .1\%$).

PERFORMANCE SPECIFICATIONS

Standard Capacities (lbs.):

25, 50, 75, 100, 150, 200, 250, 300, 500, 750, 1K, 1.5K, 2K, 2.5K, 3K, 5K, 10K, 15K, 20K, 30K, 40K
10VDC - Maximum 15VDC

Excitation Voltage:

3.0 mv/v Minimum

Rated Output:

< 0.03% FSO (Full Scale Output)

Non-Linearity:

< 0.02% FSO

Hysteresis:

< 0.01% FSO

Non-Repeatability:

$\pm 1.0\%$ FSO

Zero Balance:

350 ohms nominal

Bridge Resistance:

150% of Rated Capacity

Safe Overload:

Temperature:

Compensated Range:

0 - 150 deg. F

Effect on Output:

< 0.0008% FSO/deg. F

Effect on Zero:

< 0.0011% FSO/deg. F

Finish:

Electroless Nickel/Chrome Plated

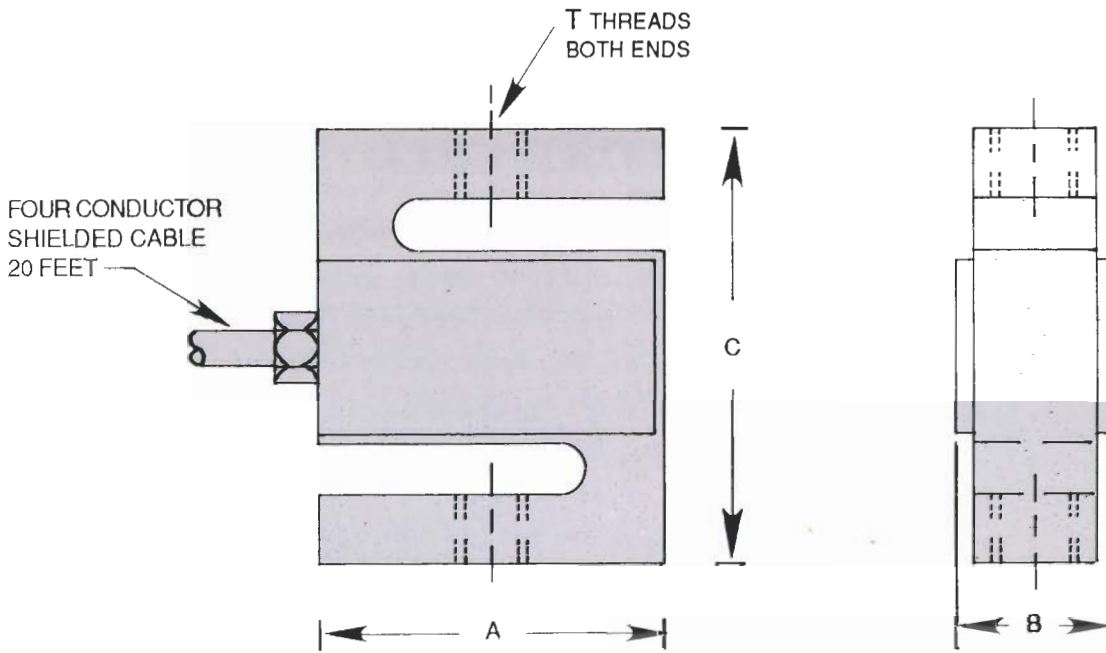


| CAPACITY LBS. | A | B MAX. | C | T THREADS |
|---------------|------|--------|-------|---------------------|
| 25-300 | 2.00 | .75 | 2.50 | 1/4 - 28 UNF - 2B |
| 500 - 2.5K | 2.00 | 1.00 | 2.50 | 1/2 - 20 UNF - 2B |
| 3K | 3.00 | 1.25 | 4.00 | 1/2 - 20 UNF - 2B |
| 5K, 10K | 3.00 | 1.25 | 4.00 | 3/4 - 16 UNF - 2B |
| 15K | 3.50 | 1.50 | 5.50 | 1-14 UNF - 2B |
| 20K | 4.50 | 2.00 | 7.00 | 1 1/4 - 12 UNF - 2B |
| 30K, 40K | 5.75 | 2.75 | 10.00 | 1 1/2-12 UNF - 2 B |

ELECTRICAL TERMINATION

| | | |
|-----------|-----------|--------|
| Input | Output | Shield |
| Red (+) | Green (+) | |
| Black (-) | White (-) | |

TENSION POSITIVE



† Factory Mutual Systems approved as intrinsically safe when installed per F.M. approved installation drawing. Contact ARTECH sales department for details.

ORDER INFORMATION:

ARTECH is dedicated to maintaining adequate inventories of its Load Cells to provide the best service in the industry.

Order by the model number and indicate the capacity required.

Custom services such as matched load cell outputs, special threading and custom calibrations are available on an optional basis at an extra cost. LET US KNOW WHAT YOU NEED. . . WE LISTEN!

Represented by:

ARTECH
INDUSTRIES INC.

1966 Keats Drive, Riverside, CA 92501
(909) 276-3331
(800) 654-8181 out of CA
Fax: (909) 276-4556

QUALITY • PERFORMANCE • SERVICE

"A PREFERRED NAME IN LOAD CELL TECHNOLOGY"