

**MODEL 90210  
COMPRESSION  
LOAD CELL****FEATURES:**

- 10k to 500k pounds capacities
- Direct replacement for CP, 392B model
- Multicolumn Construction
- Exceeds NIST H-44 requirements
- Low cost
- CSP and 692B replacement versions available as model 90310
- Factory Mutual (F.M.) Approved†

**DESCRIPTION:**

Model 90210 is a multicolumn compression type of load cell. It is hermetically sealed to provide better environmental protection. The cell is recommended for tank, truck, track and hopper type industrial applications. The cell is supplied with an integral 30 foot cable. (Please specify other cable lengths).

**PERFORMANCE SPECIFICATIONS**

<b>Standard Capacity (lbs.):</b>	10K, 25K, 50K, 100K, 200K, 300K, 500K,
<b>Excitation Voltage:</b>	20VDC
<b>Rated Output:</b>	1.75 ± .1% mv/v
<b>Non-Linearity:</b>	0.15% FSO (Full Scale Output)
<b>Hysteresis:</b>	0.03% FSO
<b>Non-Repeatability:</b>	0.02% FSO
<b>Zero Balance:</b>	± 1.0% FSO
<b>Bridge Resistance Input:</b>	450 ± 1% ohms
<b>Bridge Resistance Output:</b>	480 ± 1% ohms
<b>Safe Overload:</b>	150% Rated Capacity
<b>Temperature:</b>	
<b>Compensated Range:</b>	0 - 150 deg. F
<b>Effect on Output:</b>	< 0.0008% FSO/deg. F
<b>Effect on Zero:</b>	< 0.0011% FSO/deg. F
<b>Finish:</b>	Epoxy Enamel

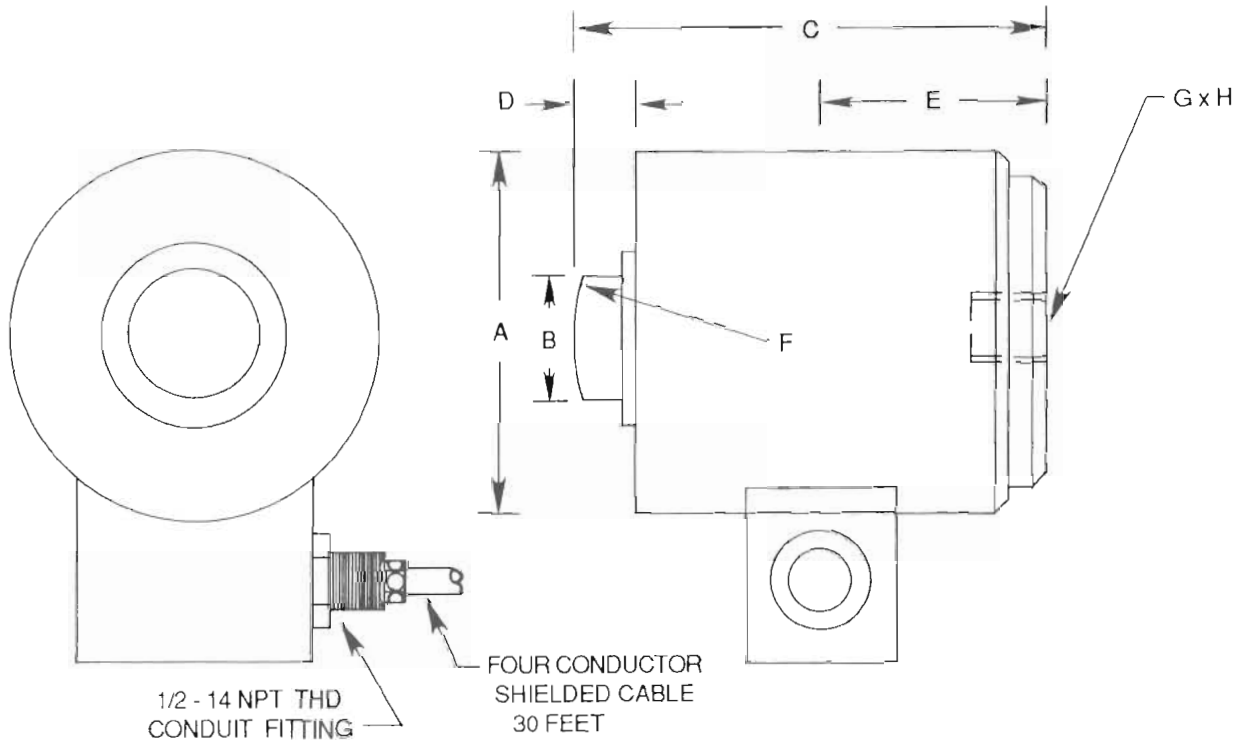


CAPACITY LBS.	A	B	C	D	E	F RAD	G THD	H DEEP
10K - 50K	2.87	1.25	3.25	.40	1.28	6.00	1/2 - 20 UNF - 2B	.30
100K	4.12	2.31	5.00	.50	2.15	6.00	3/4 - 16 UNF - 2B	.55
200K - 300K	6.00	3.13	7.25	1.04	3.31	17.00	3/4 - 16 UNF - 2B	.75
500K	6.53	3.69	9.00	.56	4.25	17.00	3/4 - 16 UNF - 2B	.75

### ELECTRICAL TERMINATION

Input      Output      Shield  
 Green (+)    White (+)  
 Black (-)    Red (-)

**COMPRESSION POSITIVE**



† Factory Mutual Systems approved as intrinsically safe when installed per F.M. approved installation drawing. Contact ARTECH sales department for details.

### ORDER INFORMATION:

ARTECH is dedicated to maintaining adequate inventories of its Load Cells to provide the best service in the industry.

Order by the model number and indicate the capacity required.

Custom services such as matched load cell outputs, special threading and custom calibrations are available on an optional basis at an extra cost. **LET US KNOW WHAT YOU NEED...WE LISTEN!**

*Represented by:*



1966 Keats Drive, Riverside, CA. 92501  
 (909) 276-3331  
 (800) 654-8181 out of CA  
 Fax: (909) 276-4556

**QUALITY • PERFORMANCE • SERVICE**  
**"A PREFERRED NAME IN LOAD CELL TECHNOLOGY"**