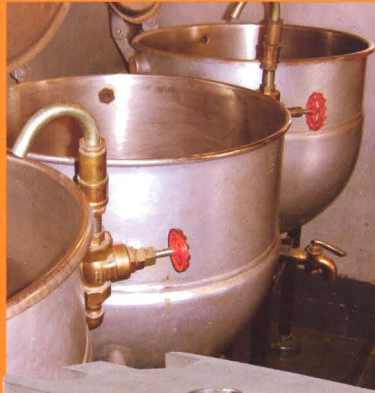




A member of the  
Avery Weigh-Tronix Group

# Tank & Vessel Weighing



Levermount<sup>®</sup>

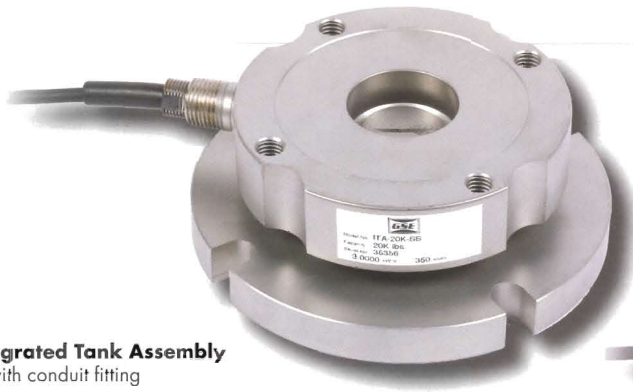
Model 7300 Levermount Tank Assembly

ITA

Integrated Tank Assembly

# Tank Weighing Assemblies

Innovative design, and tough construction define the GSE Tank Weighing Assemblies. The complete product line offers operational safety, quick installation, overload protection, and steelwork misalignment tolerance. Stainless steel, hermetically sealed load cells are available.



**ITTA Integrated Tank Assembly**  
Shown with conduit fitting



**ITTA Integrated Tank Assembly**  
Shown with stainless steel base plate  
and captive cable

## ITTA Integrated Tank Assembly

The ITA is an innovative self-contained low profile weighing assembly with an integrated load cell and mounting assembly. The ITA design allows up to 3° off its axis without affecting weighing accuracy. The durable, stainless steel welded construction prevents intrusion from moisture or chemicals; providing years of service in the most severe environments. Integral to the ITA design is its uplift restraint and side load protection; eliminating the need for check rods or stabilizing hardware in most applications.

### FEATURES

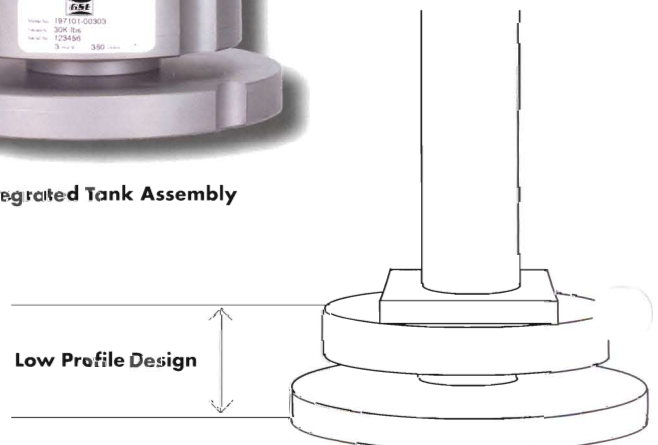
ITTA Medium Capacity: 1000 lb—125,000 lb  
(454 kg—56,699 kg)

ITTA Heavy Capacity: 150,000 lb—450,000 lb  
(68,039 kg—204,116 kg)

- Stainless steel base plate (medium capacity only)
- Square steel painted base plate (heavy capacity only)
- Low profile, self-checking
- Integrated load cell and mount
- NEMA 4X (IP66/IP68) Ingression Rating
- FM approved



**ITTA Integrated Tank Assembly**

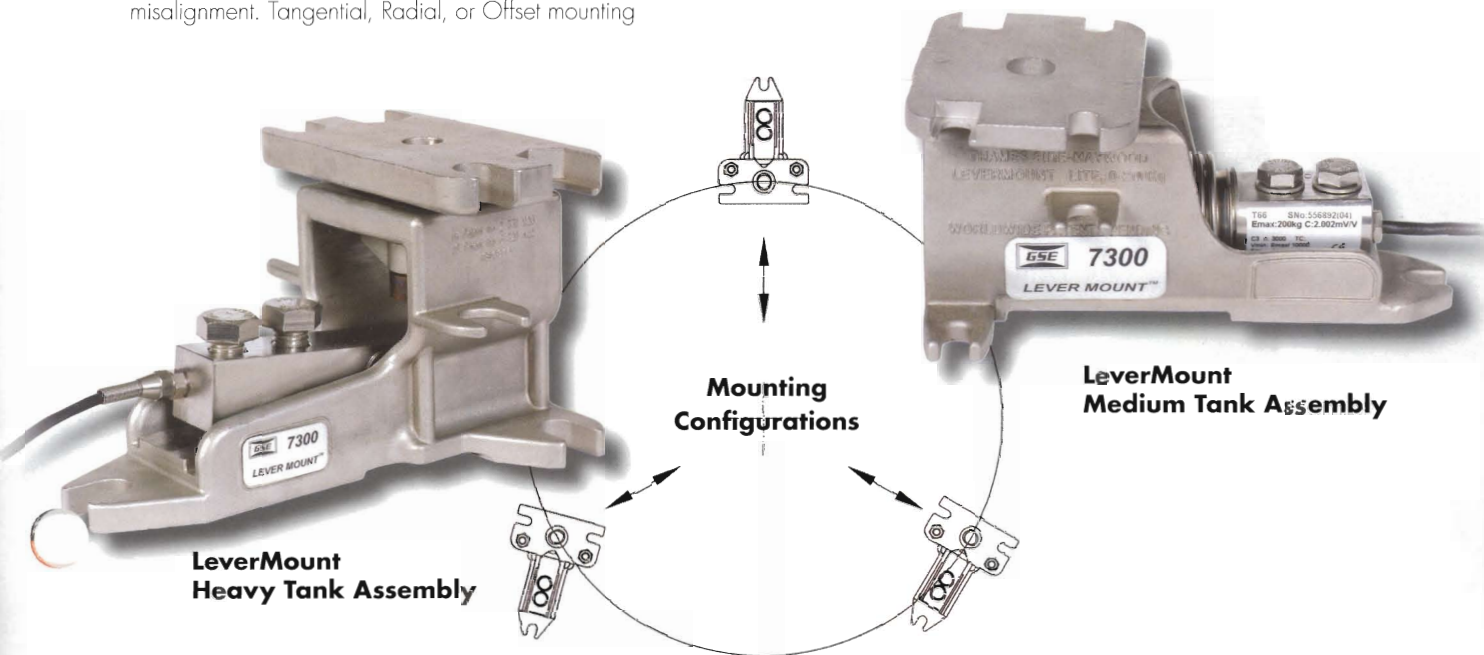


## Model 7300 LeverMount

The innovative LeverMount design allows rapid load cell installation, and removal; minimizing production downtime. The column and top plate secures the load; eliminating the need for dummy load cells or jacks during installation. The hardened steel load button and saddle design concentrates the vertical load for increased accuracy. The stable three-point mounting prevents rocking or twisting caused by uneven surfaces. The slotted saddle allows for thermal expansion and contraction which eliminates errors caused by temperature changes, and allows for steelwork misalignment. Tangential, Radial, or Offset mounting

## Applications

- Tank, Hopper, & Vessel Weighing
- Packaging and Bagging Systems
- Big Bag Weighing Machines
- Batching, Blending, and Mixing



## LeverMount Tank Assembly

### FEATURES

- Jackless load cell installation
- Integral uplift and tip protection
- Tangential, radial, or offset mounting
- Ideally suited for severe environments
- Cast 316 stainless steel construction
- Single-ended shear beam load cells
- NTEP, FM Approved!

### CAPACITIES

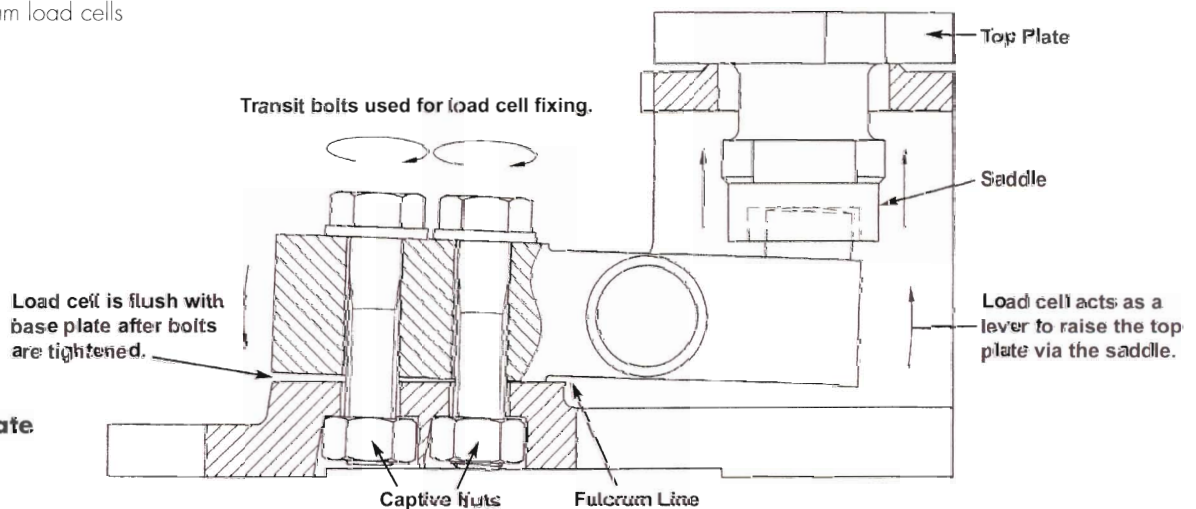
#### Medium Tank Assembly

1000 lb, 2500 lb, 5000 lb  
(454 kg, 1134 kg, 2268 kg)

#### Heavy Tank Assembly

5000 lb, 10,000 lb (2268 kg, 4536 kg)

### LeverMount Column and Top Plate



# Tank & Vessel Weighing: ITA, Levermount Specifications

	ITA Integrated Tank Assembly	LeverMount
<b>PERFORMANCE</b>		
Capacities (lb)	Medium Duty: 1000 lb—125,000 lb (454 kg—56,699 kg) Heavy Duty: 150,000 lb—450,000 lb (68,039 kg—204,116 kg)	Medium Duty: 1000 lb, 2500 lb, 5000 lb (454 kg, 1134 kg, 2268 kg) Heavy Duty: 5000 lb, 10,000 lb (2268 kg, 4536 kg)
Rated Output	3 mV/V ± 0.10 %	3 mV/V ± 0.25 %
Non-linearity of Rated Output	± 0.05 %	± 0.025 %
Non-repeatability of Rated Output	± 0.05 %	+ 0.02 %
Creep (30 minutes)	± 0.03 %	≤ 0.03 in 20 minutes
Temp Effect on Zero Balance	± 0.0015 % / °C	<± 0.026 % / 10 °C
Temp Effect on Span	± 0.0008 % / °C	<± 0.015 % / 10 °C
Compensated Temp Range	10 °F to 110 °F (-12 °C to 43 °C)	14 °F to 104 °F (-10 °C to 40 °C)
Operating Temp Range	10 °F to 110 °F (-12 °C to 43 °C)	-4 °F to 140 °F (-20 °C to 60 °C)
Safe Overload F.S.	150 %	150 %
Ultimate Overload F.S.	300 %	300 %
Input Resistance / Impedance	350 ± 3 Ω*	385 ± 5 Ω
Output Resistance / Impedance	350 ± 3 Ω*	350 ± 3 Ω
<b>ELECTRICAL/WIRING</b>		
Excitation Voltage	10—15 VAC/VDC	10—15 VAC/VDC
Cable Length	25 ft (7.62 m)	16.5 ft (5 m)
Excitation +	Green	Red
Excitation -	Black	Black
Signal +	White	Green
Signal -	Red	White
<b>CONSTRUCTION</b>		
Material	Load Cell: Stainless Steel Hermetically Sealed NEMA 4X (IP66/ IP68) Cable Exit — conduit fittings or captive cable Hermetic Connector—Optional Base Plate: Stainless Steel for 1000 lb—125,000 lb (454 kg—56,700 kg) capacities Mild Steel for 150,000—450,000 lb (68,000 kg—204,000 kg) capacities	Load Cell: Stainless Steel Hermetically Sealed IP67 Cable exit — captive cable only Mount: 316 Cast Stainless Steel
Dimensions	1000—10,000      1.37 in x 4.5 in (34.8 mm x 114.3 mm) 20,000—50,000    2.53 in x 7.0 in (67.31 mm x 177.8 mm) 60,000—125,000    3.12 in x 8.0 in (79.25 mm x 203.2 mm) 150,000—225,000    4.25 in x 10.0 in x 10.0 in (120.65 mm x 254 mm x 254 mm) 250,000—450,000    6.40 in x 11.0 in x 11.0 in (162.56 mm x 279.4 mm x 279.4 mm)	1000—5000 lb      7.8 in x 5.2 in x 4.33 in (198.12 mm x 132.0 mm x 109.98 mm) 5000—10,000 lb    10.63 in x 7.48 in x 6.18 in (270.0 mm x 189.92 mm x 156.97 mm)
AGENCIES	FM Approved, NTEP Pending	NTEP, FM Approved

\*Nominal

Levermount® is a registered trademark of Thames Side-Sensors Limited

**Avery Weigh-Tronix**

**Avery Weigh-Tronix - USA**  
1000 Armstrong Drive  
Fairmont, MN 56031- 1439 USA  
usinfo@awtxglobal.com  
Toll-Free: (800) 533-0456  
Phone: (507) 238-4461

**Avery Weigh-Tronix - UK**  
Foundry Lane, Smethwick  
West Midlands B66 2LP UK  
info@awtxglobal.com  
Phone: +44 (0) 121 568 1660  
Fax: +44 (0) 121 697 5660



Please call us or visit  
[www.gse-inc.com](http://www.gse-inc.com)  
for your nearest  
GSE Distributor

